



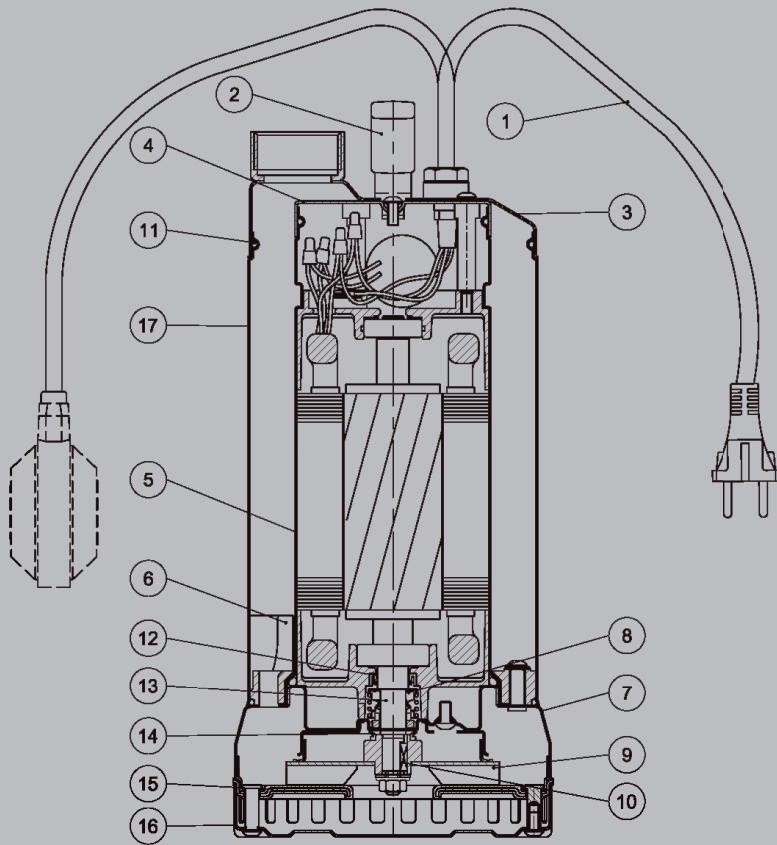
# KLEEpump

## KXD series

KLEEpump KXD is a compact, efficient and affordable stainless submersible pump in high quality, which is used for waste water, drains, fountains and ponds.

The KLEEpump series is our own high-quality brand, and has been developed and tested in collaboration with our manufacturer.

See more at [www.klee.dk](http://www.klee.dk) for our selection of drain and sewage pumps.



Component	Material
1. Cable	H07RN-F
2. Handle	AISI 304+Nylon
3. Pump Cover	AISI 304
4. Motor Cover	AISI 304
5. Motor Casing	AISI 304
6. Fixing Ring	Nylon+30GF
7. Pump Casing	AISI 304
8. Mechanical seal	SIC/SIC/NBR
9. Impeller	AISI 304
10. Key	AISI 304
11. O-Ring	NBR
12. Oil Seal	NBR
13. Shaft	AISI 304
14. V-type Axial Oil Seal	NBR
15. Suction flange	AISI 304 TPU
16. Strainer	AISI 304

### Model codes

- KXD:** Name of series  
**07:** Power (HP)  
**M:** 1 Phase  
**T:** 3 Phase  
**A:** Float switch  
**40:** Discharge size (1 1/2")

### Motor data (KXD)

- Motor Type: 2 Pole, dry type
- Frequency: 50Hz
- Nominal Speed: 2850 rpm
- Insulation Class: F class (155°C)
- Enclosure Protection Class: IP 68
- Protection Device: Thermal Protector (1 phase)

### Pump data (KXD)

- Impeller: Open Impeller
- Shaft Seal/Mechanical: Double Seals
- Bearing: Double-shielded Ball Bearing

### Operation Conditions

Fluid Temperature:  
 0 to 50°C (122°F)

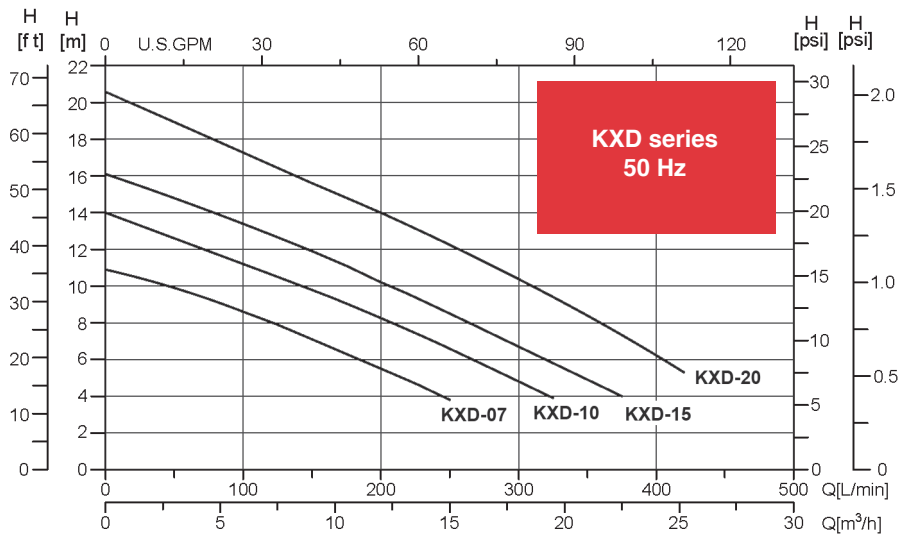
### Applications

- Basement water removal
- Waste water drainage
- Water transfer
- Sump/effluent handling
- Dewatering
- Fish pond & fountain circulation
- Factory waste water handling



KLEE pump		CE	
SUBMERSIBLE Drainage Pumps			
MADE IN TAIWAN			
MODEL	KXD-07MA40	R.P.M	2850 RPM
DISCHARGE	1-1/2 INCH	HP/KW	0.75/0.55
HEAD	8.6 M	PHASE	1
CAPACITY	100 L/min	VOLTAGE	220-240 V
SER. NO	X 220009383-0001	CURRENT	3.5-3.2 A

# KLEEpump - KXD series



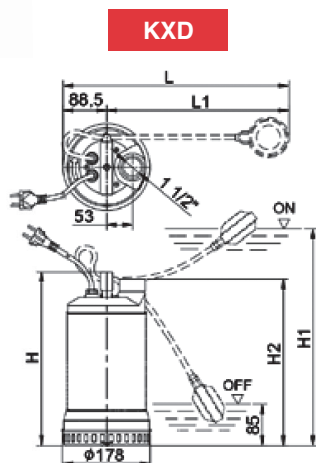
## Technical Data

Model (1 Phase)	Phase	Current FLA [A]		Power		Capacitor	Head [m]		Flow [L/min]		Discharge
	Ø	220-240V	380-415V	HP	kW	µf / V	Rated	Max	Rated	Max	Inch
KXD-07-M-40	1	3,5-3,2	1,5-1,3	0,75	0,55	15µf/450V	8,6	10,9	100	250	1 1/2"
KXD-07-MA-40	1	3,5-3,2	1,5-1,3	0,75	0,55	15µf/450V	8,6	10,9	100	250	1 1/2"
KXD-10-M-40	1	5,5-5,0	2,4-2,2	1,0	0,75	22µf/450V	11,2	14,0	100	325	1 1/2"
KXD-10-MA-40	1	5,5-5,0	2,4-2,2	1,0	0,75	22µf/450V	11,2	14,0	100	325	1 1/2"
KXD-15-M-40	1	7,0-6,4	2,5-2,3	1,5	1,1	30µf/450V	11,9	16,1	150	375	1 1/2"
KXD-15-MA-40	1	7,0-6,4	2,5-2,3	1,5	1,1	30µf/450V	11,9	16,1	150	375	1 1/2"

Model (3 Phase)	Phase	Current FLA [A]		Power		Head [m]		Flow [L/min]		Discharge
	Ø	220-240V	380-415V	HP	kW	Rated	Max	Rated	Max	Inch
KXD-07-T-40	3	2,6-2,4	1,5-1,3	0,75	0,55	8,6	10,9	100	250	1 1/2"
KXD-10-T-40	3	4,1-3,8	2,4-2,2	1,0	0,75	11,2	14,0	100	325	1 1/2"
KXD-15-T-40	3	4,3-4,0	2,5-2,3	1,5	1,1	11,9	16,1	150	375	1 1/2"
KXD-20-T-40	3	6,6-6,0	3,8-3,5	2,0	1,5	15,3	20,6	150	420	1 1/2"

## Dimensions



Model (1 & 3 Phase)	X					Passage	Cable		Weight
	H	H1	H2	L	L1	[mm]	H05/07RN-F	M	Kg
KXD-07-M-40	357	437	341	459	370	8	3G1,0 mm <sup>2</sup>	10	11,0
KXD-07-MA-40	357	437	341	459	370	8	3G1,0 mm <sup>2</sup>	10	11,5
KXD-10-M-40	407	497	391	514	425	8	3G1,0 mm <sup>2</sup>	10	14,0
KXD-10-MA-40	407	497	391	514	425	8	3G1,0 mm <sup>2</sup>	10	14,5
KXD-15-M-40	407	497	391	514	425	8	3G1,5 mm <sup>2</sup>	10	16,0
KXD-15-MA-40	407	497	391	514	425	8	3G1,5 mm <sup>2</sup>	10	16,5
KXD-07-T-40	357	-	341	-	-	8	4G1,0 mm <sup>2</sup>	10	11,0
KXD-10-T-40	357	-	341	-	-	8	4G1,0 mm <sup>2</sup>	10	12,0
KXD-15-T-40	407	-	391	-	-	8	4G1,0 mm <sup>2</sup>	10	14,0
KXD-20-T-40	407	-	391	-	-	8	4G1,5 mm <sup>2</sup>	10	16,0



See more at [www.klee.dk](http://www.klee.dk)

Retailer:

**Brd. Klee A/S**

Gadagervej 11  
2620 Albertslund  
Tel 43 86 83 33  
Fax 43 86 83 88  
[klee@klee.dk](mailto:klee@klee.dk)  
[www.klee.dk](http://www.klee.dk)